



Sequoia by Waverley Glen Systems



Sequoia shown with Griffin Portable ceiling lift

A Safer Way for Both Caregiver and Client

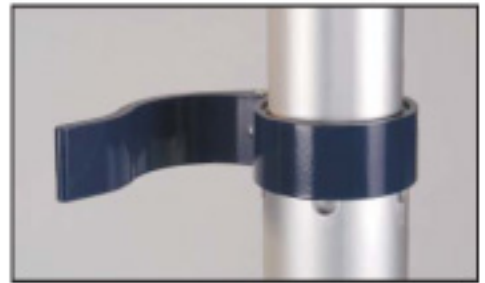
The innovative Sequoia has been designed with both the caregiver and client in mind. Easy to assemble, this self contained portable free standing track system comes ready to use. Assembled in minutes the Sequoia is adjustable in height and length. So whether you need it short or long, low or high the Sequoia will meet your needs.

Light weight and portable, the Sequoia goes where you go! Simply dismantle and move it to your new location. For floors that are not level, the Sequoia has multi-level capabilities allowing for variances of 24" (610 mm) in floor height.

Secure and sturdy, the Sequoia can be installed quickly in any room application regardless of ceiling type.

Product Highlights

- Semi-portable, eliminates permanently mounting track to the ceiling.
- Easy-to-use clamps allow quick assembly without tools, within minutes.
- Secure fit support feet ensures stability.



- Track leveling indicators on posts.
- Self-leveling adjustment wheel.



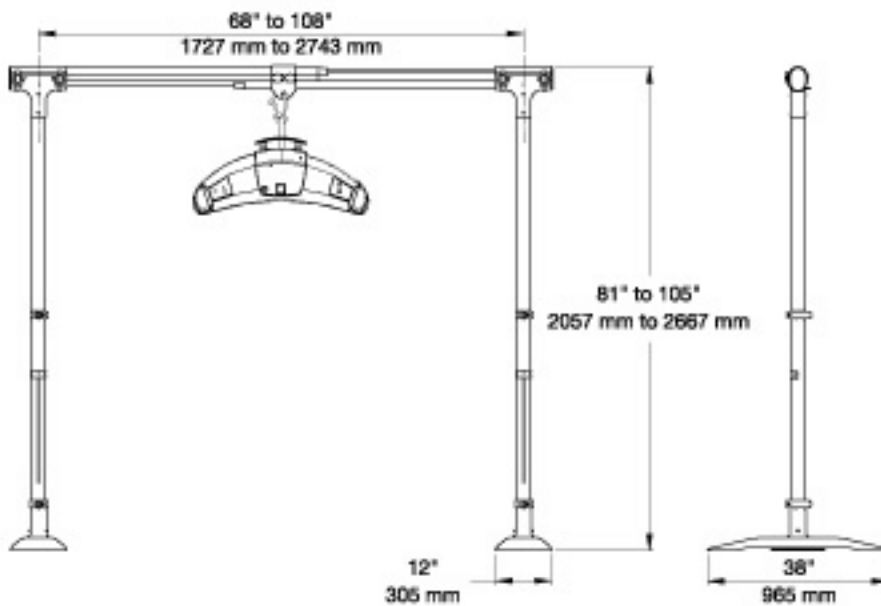
- Track ends are attached by secure clamps.



WAVERLEY GLEN
Lift • Position • Transfer • Solutions
A Prism Medical Company



Technical Specifications



Side Pole Supports: Extruded Aluminum

Track: Extruded Aluminum

Feet: Cast Aluminum

Maximum Height: 105" (2670 m) (floor top highest point)

Maximum Length: 108" (2740 m) (centre line of posts)

Maximum Width: 38" (965 mm)

Unit Weight: 90 lbs. (41 kg)

Maximum Load: 400 lbs. (181 kg)

Warranty: Two Years

Product Highlights

- High-strength lightweight Aluminum composite.
- Adjustable in length and in height.
- Configures easily for a variety of applications.



- Built-in trolley glides effortlessly across track and does not require adjustment when track is lengthened.



Lift • Position • Transfer • Solutions

A Prism Medical Company

www.waverleyglen.com | 1.800.265.0677